

GURUTZPE
ETXETAR group

smart
turning solutions

TURNING SOLUTIONS FOR RAILWAY SECTOR
MAINTENANCE AND MANUFACTURING



ABOUT US

Manufacturing of heavy-duty lathes with high added value.

GURUTZPE supplies horizontal lathes for machining strategic parts in the most demanding industrial sectors.

With over 60 years of experience in the industry, GURUTZPE offers its customers customised, and innovative manufacturing solutions of the highest standards.

Etxe-tar Group

GURUTZPE is part of the Etxe-tar industrial group. With the established diversity of various manufacturing sectors, which includes knowledge, and human resources that make up the group. Etxe-tar provides substantial financial stability, to insure strong support, and long-term success with major projects.

References



renfe



ALSTOM

SIEMENS

LUCCHINI GROUP
RS

yapı
merkezi



CAF

Mantena

Plasser & Theurer

RAIL AUSTRALIA

INDEX

Maintenance



Wheelset
GL13 | GL16
GLX13 | GLX16

03



Railway axle
GL10 | GL13

05



Railway wheel
GL10

06

Manufacturing



Railway axle
GLX16

07



Railway wheel
GF13

08

Solutions



Software & Technology 4.0
Accessories
Turnkey Projects
Service

09

WHEELSET MAINTENANCE

GLX13 | GLX16

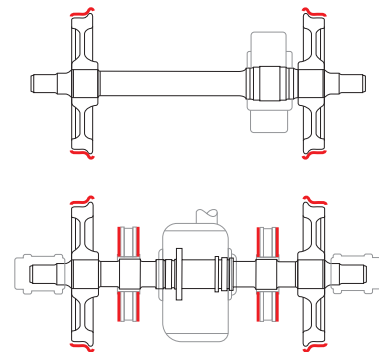
Horizontal lathe for the maintenance of wheelsets with gearboxes, axle boxes, and integrated brake discs.



Technical characteristics

		GLX 13	GLX 16
Maximum tread diameter	mm	850	1.150
Axle length	mm	3.000	3.000
Maximum workpiece weight	t	6	10
Motor power S1/S6	kw	39/51*	51/71*
Length x Width x Height (3m)	m	8,4 x 2,9 x 2,6	8,8 x 3,3 x 2,9
Radial runout	mm	<0,10	<0,10

* Optional.



CHARACTERISTICS

- Large chip section to avoid chip build-up.
- Tooling to support the transmission.
- Mechanisation of brake discs (allows machining with brake discs still installed) (GLX range).
- Measuring probe and specific software.
- Option for double carriages with 2 turrets, and/or double headstocks (machines are customised to customer requirements).
- Option for full enclosure, with fume/mist extraction, soundproofing, and double chip conveyor.
- Option for automatic workpiece loading/unloading system.

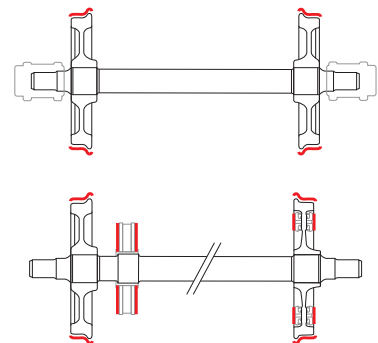




Technical characteristics

		GL 13	GL 16
Maximum tread diameter	mm	900	1.200
Axle length	mm	3.000	3.000
Maximum workpiece weight	t	6	10
Motor power S1/S6	kw	39/51*	51/71*
Length x Width x Height (3m)	m	8,6 x 2,8 x 2,6	9 x 3 x 2,8
Radial runout	mm	<0,10	<0,10

* Optional.



AXLE MAINTENANCE

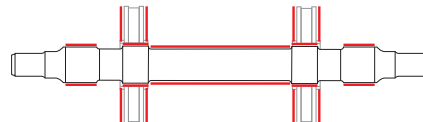
GL10 | GL13

High precision horizontal lathe for railway axle maintenance.



Technical characteristics

		GL 10	GL 13
Swing over carriage	mm	700	1.000
Swing over bed	mm	1.000	1.300
Axle length	mm	3.000	3.000
Maximum axle weight	t	4	6
Main spindle nose adapter chuck		DIN 55026-A11	DIN 55026-A11
Motor power S1/S6	kw	28	39
Feed speed "X"/"Z"	m/min	8 / 6	8 / 6
Length x Width x Height (3m)	m	7,9 x 2,5 x 2	8,6 x 2,8 x 2,6



CHARACTERISTICS

- Tooling to support the transmission.
- Mechanisation of brake discs (allows machining with brake discs installed).
- Measuring probe with specific software.
- End working solutions. Option for grinding or burnishing the seats.
- Option for automatic workpiece loading/unloading system.



WHEEL MAINTENANCE

GL10

High precision horizontal lathe for railway wheel maintenance.



Technical characteristics

GL 10

Max. swing	mm	1.000
Max. plate swing	mm	1.250
Maximum weight without steadies	t	3
Main spindle nose adapter chuck		DIN 55026-A11
Motor power S1/S6	kw	28
Feed speed "X"/"Z"	m/min	8 / 6
Length x Width x Height (1m)	m	5,9 x 2,5 x 2



CHARACTERISTICS

- Excellent chip removal.
- Complete machining of the hub.
- Specific fastening solutions.
- Measuring probe with specific software.
- Option for automatic workpiece loading/unloading system.



AXLE MANUFACTURING

GLX16

High-throughput horizontal lathe for railway axle manufacturing.



Technical characteristics

GLX 16

Swing over carriage	mm	700
Swing over bed	mm	1.000
Axle length	mm	3.000
Maximum axle weight	t	10
Main spindle nose adapter chuck		DIN 55026-A15
Speed range	rpm	0÷500
Motor power S1/S6	kw	2x71
Feed speed "X"/"Z"	m/min	8 / 6
Length x Width x Height (3m)	m	9,8 x 3,3 x 2,9



CHARACTERISTICS

- Double machining carriages, and double headstock (as required).
- Complete machining of the axle in one setup.
- Optional hydraulic steady rests to stiffen and increase the degree of automation (drilling / milling / facing operations).
- Specific tooling using mobile points (to prevent tooling collisions).
- Large chip section, with finishing capabilities (roller burnishing or grinding).
- Integration of the machine in automatic production cells.
- Option for full enclosure, with fume/mist extraction, soundproofing, and double chip extractor.



WHEEL MANUFACTURING

GF13

High-throughput horizontal lathe for railway wheel manufacturing.



Technical characteristics

GF 13

Max. swing	mm	1.300
Max. plate swing	mm	1.600
Maximum weight without steadies	t	3
Main spindle nose adapter chuck		DIN 55026-A15
Speed range	rpm	0÷500
Motor power S1/S6	kw	113
Feed speed "X"/"Z"	m/min	8 / 6
Length x Width x Height (1m)	m	4,8 x 3,5 x 2,5



CHARACTERISTICS

- Innovative vertical wheel manufacturing system with horizontal lathe.
- Excellent chip management. Very high chip removal ratio (kg/h).
- Automatic wheel placement, and mounting system.
- Wheel (hub, and profile) measurement, with a verification system.
- One or two machining turrets depending on production requirements.
- Complete machining of profile, and hub.
- Flexibility to manage different wheel diameters.
- Integration of the machine in automatic production cells (feeders, stackers, etc.).



SOFTWARE & INDUSTRY 4.0



- Solutions adapted to the Industry 4.0 model (total machine sensor management).
- Specific software for complete machining of the workpiece (axle, wheel, disc, etc.) using pre-determined cycles for simple and intuitive operation.
- 3D visualisation of the programmes to be run.
- Libraries of programmes.
- Specific information management using bar codes.

ACCESSORIES



CLAMPING SYSTEM

GURUTZPE offers specific solutions for the custom clamping of railway parts. Personalised chucks to optimise workpiece loading-unloading, and machining processes. Multi-purpose clamping claws to facilitate set-up between different models of wheelsets, and wheels.



TOOLS AND TOOL CARRIERS

Modularity of tool carriers, and tools. customised designs to fit tools to prevent collisions, optimising the machining process, and increasing productivity. Pre-machining, and Post-machining measurement systems.



WORKPIECE LOADING AND UNLOADING SYSTEM

GURUTZPE offers automated loading, and unloading systems (to improve process times, handling safety, and operational repeatability).

TURNKEY PROJECTS



GURUTZPE combines key management experience in both maintenance, and production by designing solutions for the railway industry to provide flexibility, and productivity.

GURUTZPE offers not only custom solutions for machining one or more parts using different levels of automation, but also includes the design and execution of turnkey projects for complete workpiece machining (axle or wheel) from raw products (forge).

SERVICE



TRAINING

Customers can develop, and enhance specific skills required to carry out certain maintenance tasks that contributes to the upkeep of the machines.



TECHNICAL SUPPORT

Whether providing support remotely, or on site at your facility, our engineering department is always available to help solve any issues.



MAINTENANCE

Not all machines are the same, nor are all working conditions equal. We design custom maintenance programmes that are adapted to the needs of each customer.



gurutzpe.com

CENTRAL

GURUTZPE TURNING SOLUTIONS S.L.
Pol. Ind. Q8 ITZJAR-DEBA (SPAIN)
T: +34 943 19 90 80
gurutzpe@gurutzpe.com



Gurutzpe Germany

Steinbeisstraße 12
D - 73037 Göppingen
T: +49 (0)1604101161
v.hiersekorn@gurutzpe.com

Gurutzpe Italy

Fraz. San Martino Cantone Perotti 1
13865, Curino (BI)
T: +39 3489 667 620
f.pignolo@gurutzpe.com

Gurutzpe France

22 Allée des basques
64500 Ciboure
T: +33 680 487 886
m.novat@gurutzpe.com

Gurutzpe Rusia

Gurutzpe Россия
МариоФернандесМосква, Ул.
Мневники, д.3, строение1,
Тел: 8 910 421 28 13
Моб: 7 910 421 28 13
m.fernandez@gurutzpe.com

Gurutzpe USA

1270 Rankin, Suite E
Troy, MI 48083 USA
T: (815) 282 3310
Cell: (815) 979 3758
b.spencer@gurutzpe.com

Gurutzpe India

ORIENT ENTERPRISE
Unit 15/16/17, Building No. 9
Jogani Industrial Estate,
Chunabhatti, (E), Mumbai - 400022
T: +91 (022) 24056831/32
info@oriententerprise.com.in

Gurutzpe China

北京昌平区北七家高科技工业园
电话: 0086-10-81764768-109
手机: 0086-13693033639
传真: 0086-10-81764595
t.wang@gurutzpe.com

Gurutzpe Brasil

TOTAL Maquinas Operatrizes
Rua Dartagnan, 120 - São Bernardo do Campo - SP
CEP 09619-020
T: (55 11) 4177-3938
rogerio@totalmaquinas.com.br